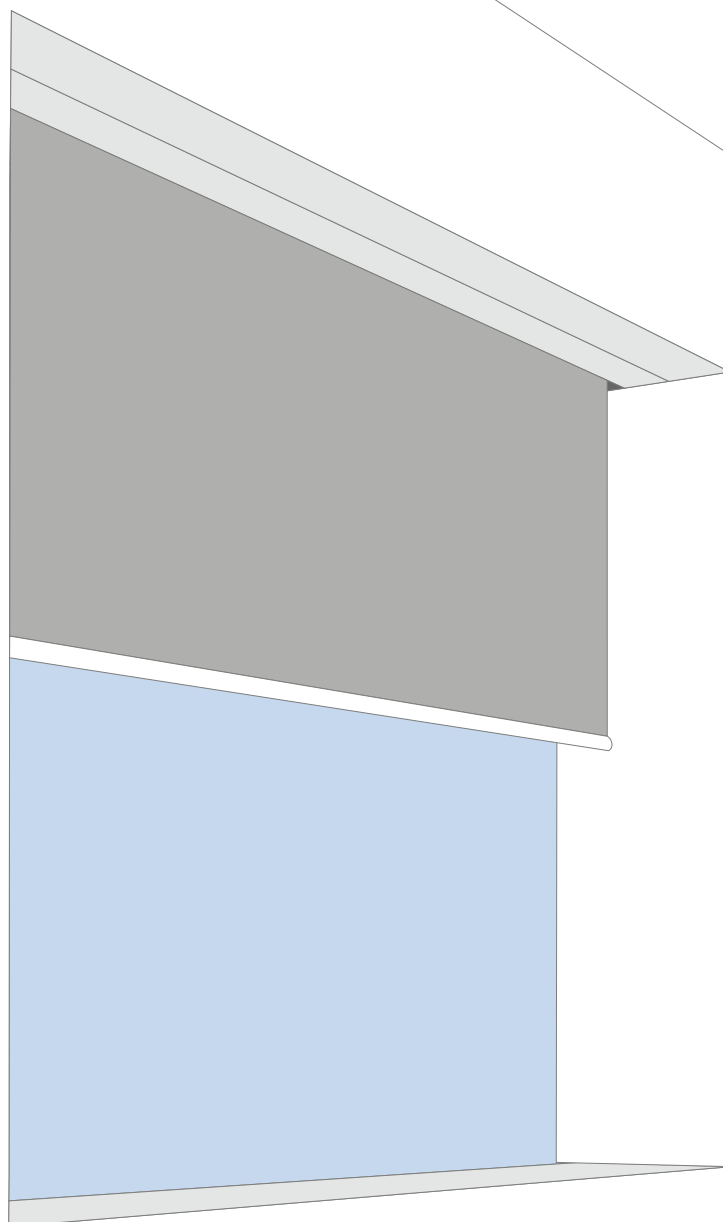


INSTALLING BLINDSPACE®

HEAD BOX (S) (C) (M) Series



SCAN FOR
WEB VERSION

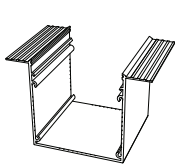


INSTALLING BLINDSPACE®

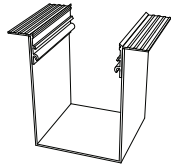
HEAD BOX (S) (C) (M) Series

NOTE: Millimeter precision is important for perfect end result. Boxes must be securely attached within ceiling or wall. System fixings are never supplied by Blindspace, installer to ensure their fixing are suitable.

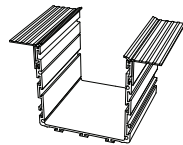
PARTS



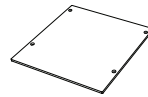
S-Series



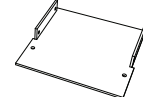
C-Series



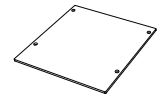
M-Series



S-Series



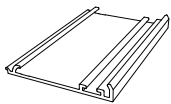
C-Series



M-Series

Box

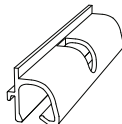
End caps



Cover

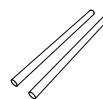


S & C-Series



M-Series

Hinge



Splice Pins

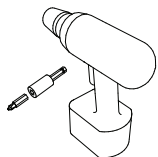


Splice Plates

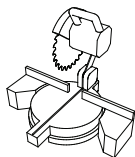


Hole Grommet

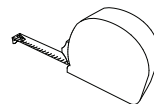
TOOLS



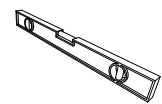
Screw Driver/Driller



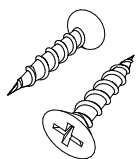
Power Chop Saw



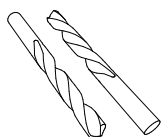
Tape Measure



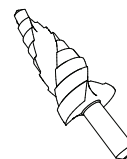
Spirit Level



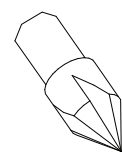
Countersunk Screws



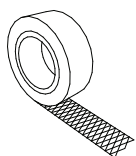
Drill Bits



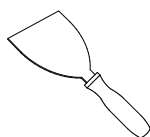
Stepped Drill Bit



Countersink Drill Bit



Scrim Tape



Scraper

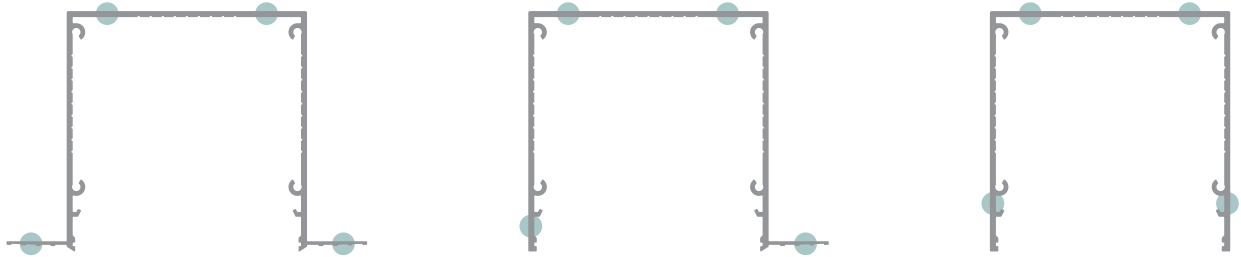
INSTALLING BLINDSPACE®

HEAD BOX (S) (C) (M) Series

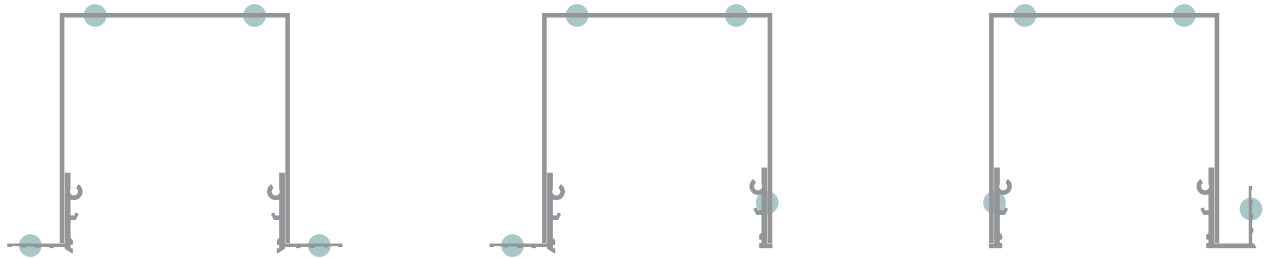
NOTE: These are example fixing points showing boxes with and without skim coat flanges. Boxes should be fixed in the top of the box and through the sides if recessed. Installer to ensure their fixing are suitable. Standard box with two skim coat flanges have been used for illustrative purposes.

BOX FIXING POINTS

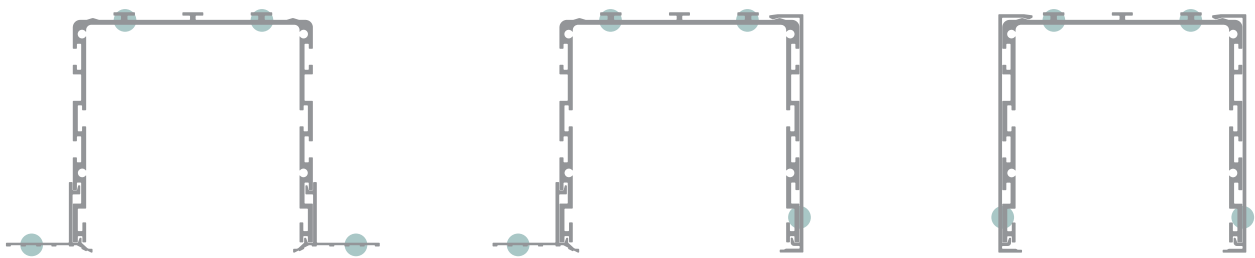
(S)



(C)



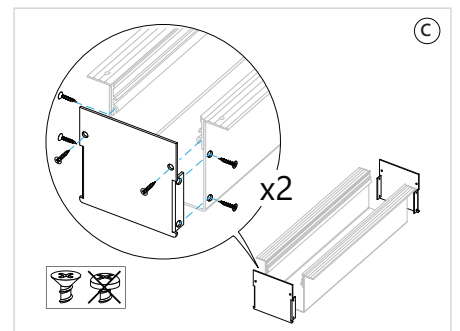
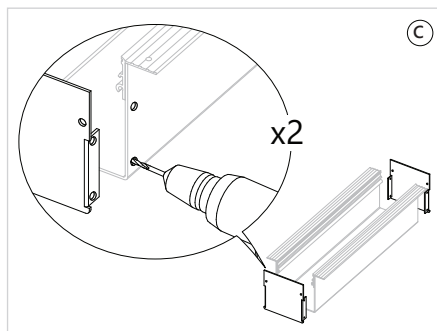
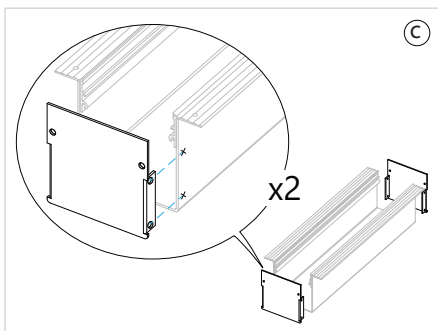
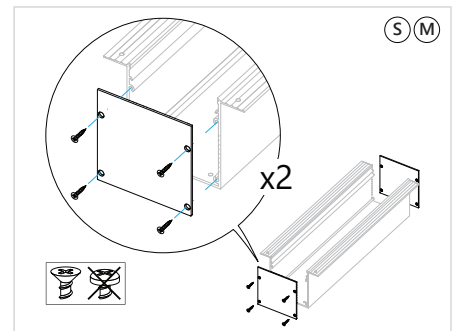
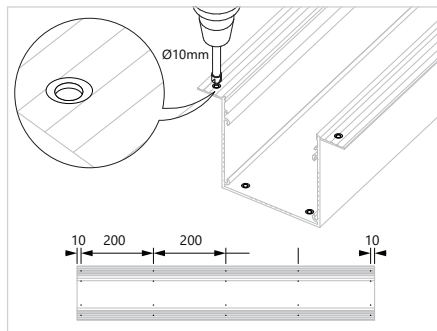
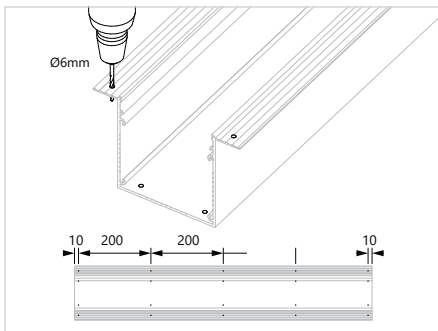
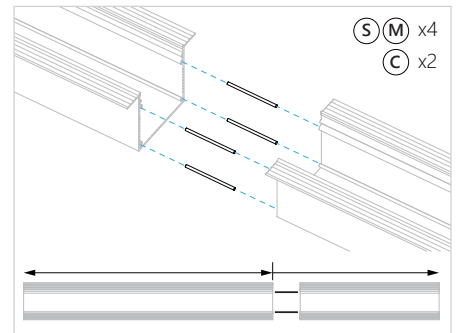
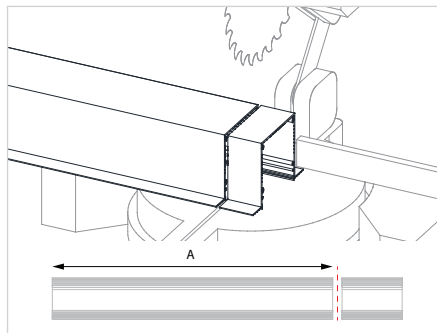
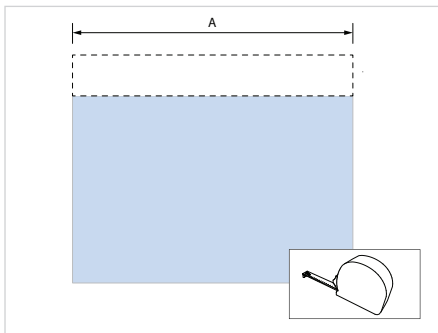
(M)



INSTALLING BLINDSPACE®

HEAD BOX (S) (C) (M) Series

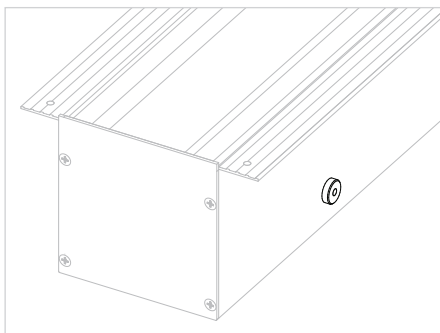
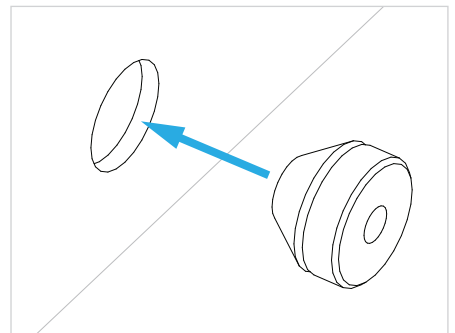
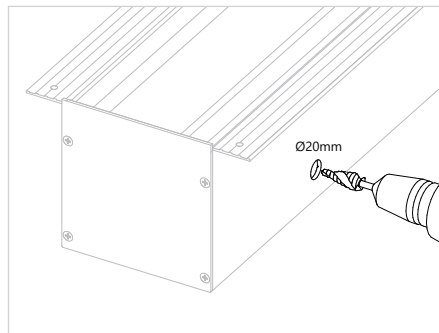
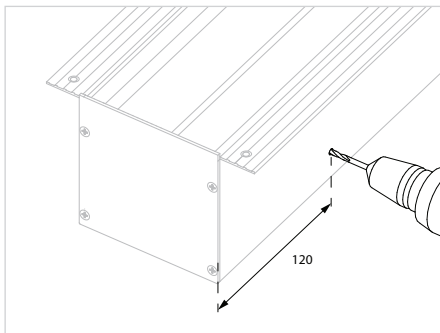
PREPARE THE PRODUCT



INSTALLING BLINDSPACE®

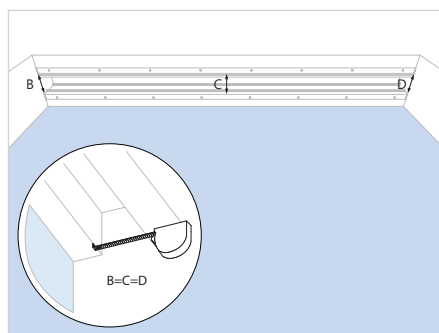
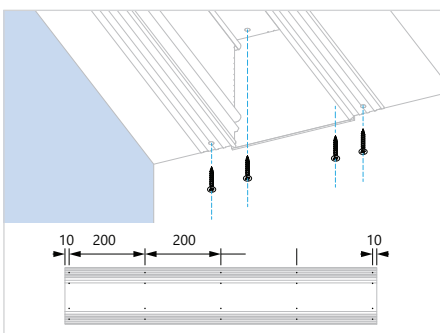
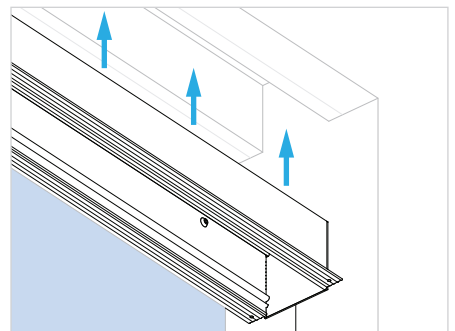
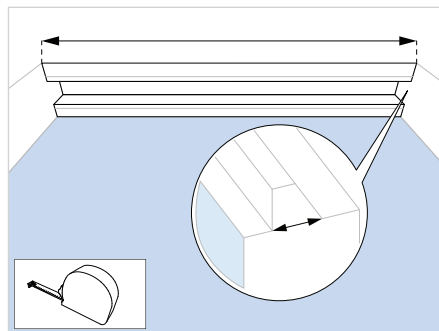
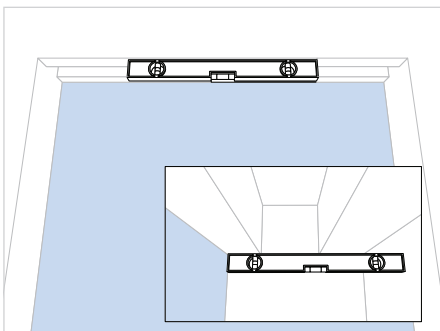
HEAD BOX (S) (C) (M) Series

EXAMPLE CABLE ENTRY POSITION



INSTALL HEAD BOX

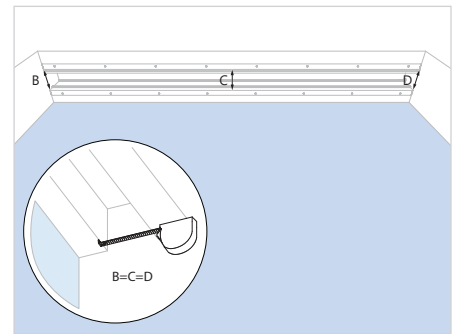
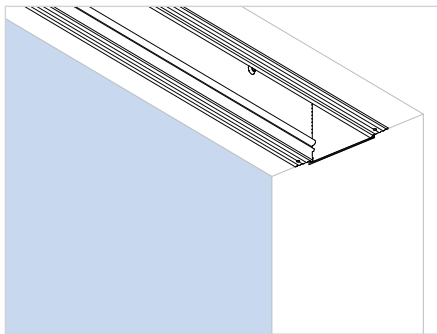
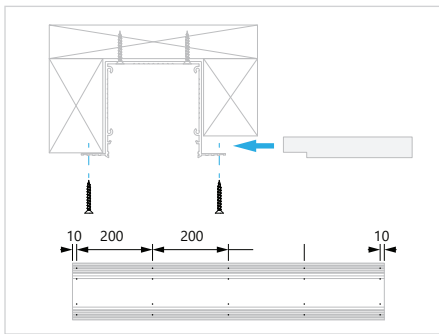
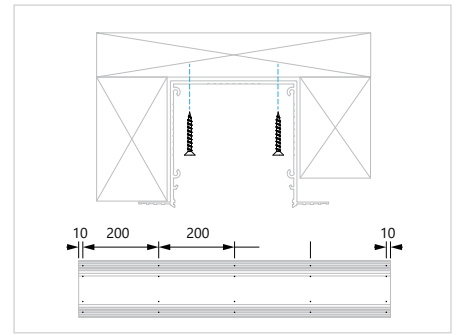
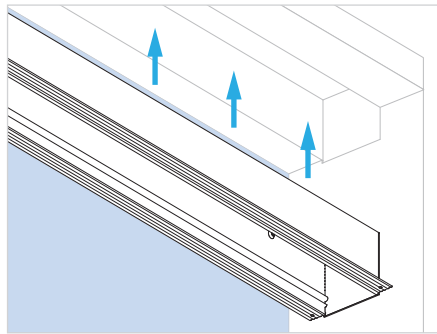
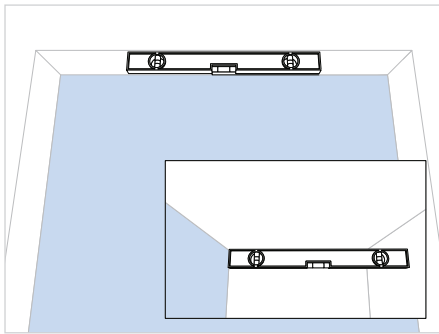
OPTION A: PREPARED RECESS INSTALLATION



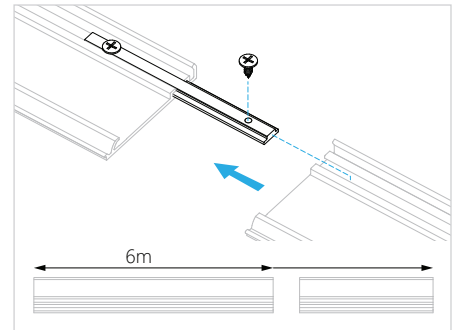
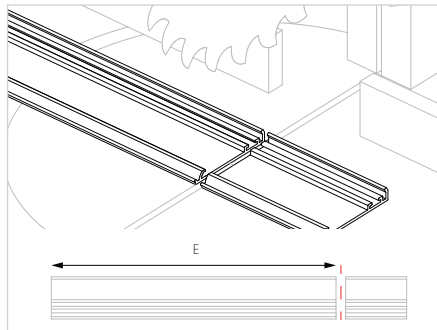
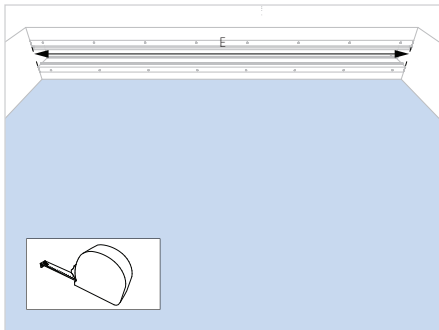
INSTALLING BLINDSPACE®

HEAD BOX (S) (C) (M) Series

OPTION B: BOX FIRST INSTALLATION



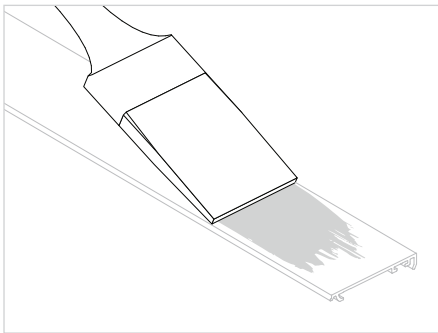
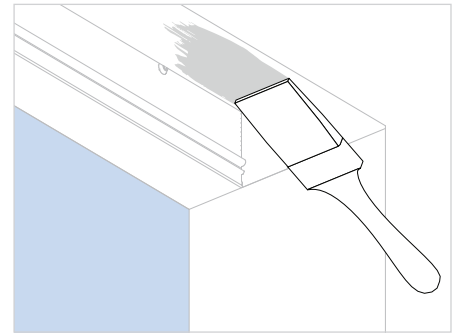
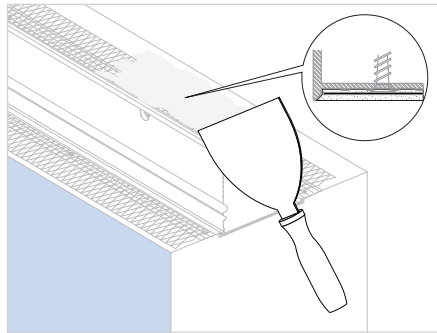
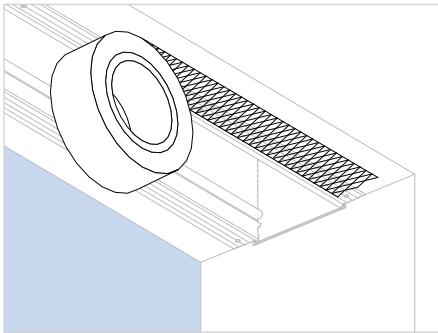
PREPARE COVER



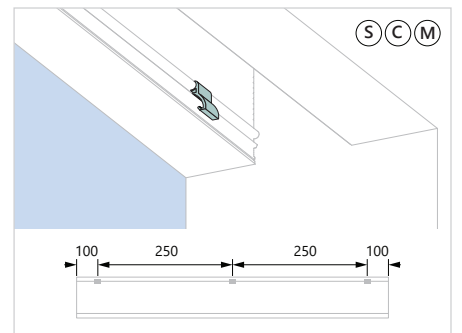
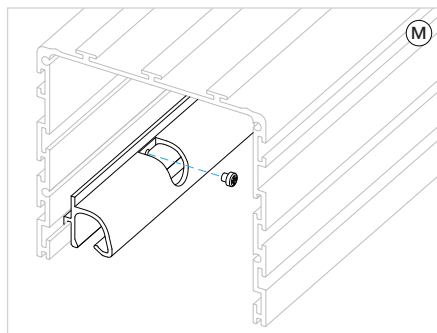
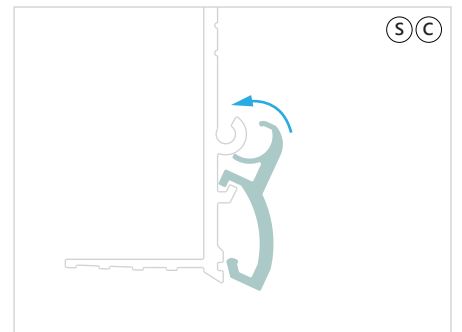
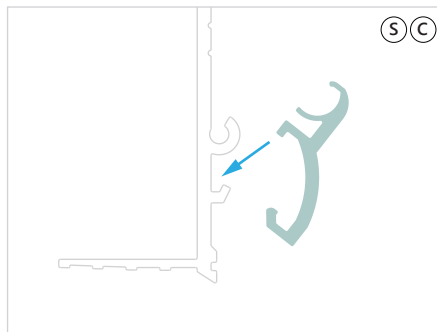
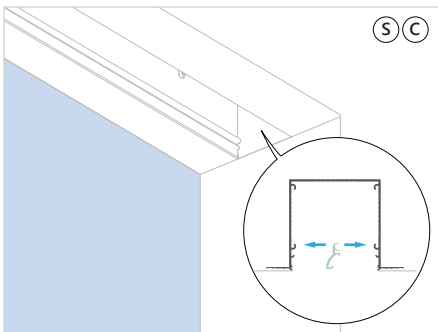
INSTALLING BLINDSPACE®

HEAD BOX (S) (C) (M) Series

SKIM COAT AND PAINT



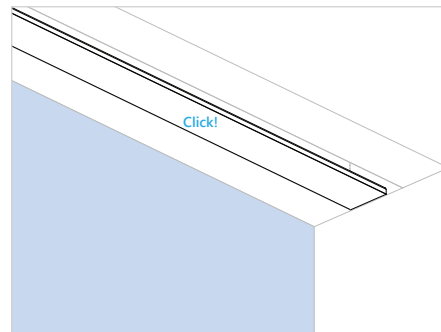
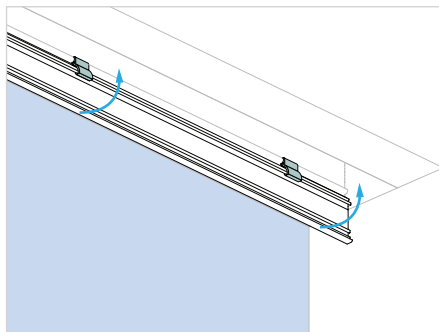
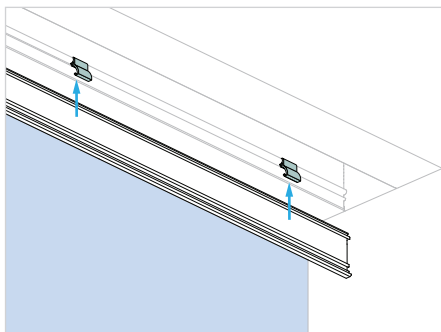
HINGE



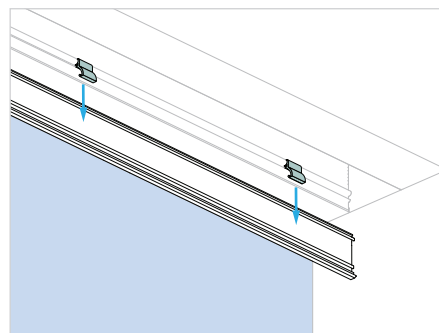
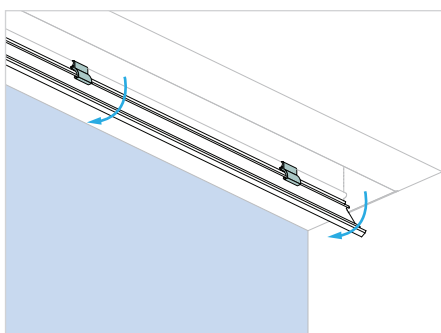
INSTALLING BLINDSPACE®

HEAD BOX (S) (C) (M) Series

CLOSE BOX



OPEN BOX



FINISHED LOOK

