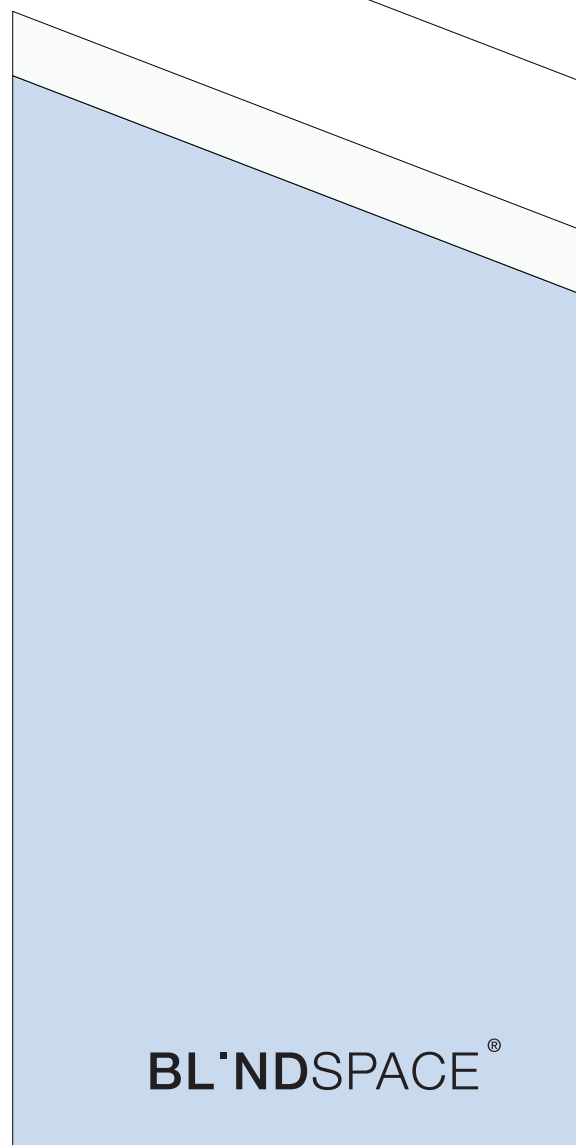
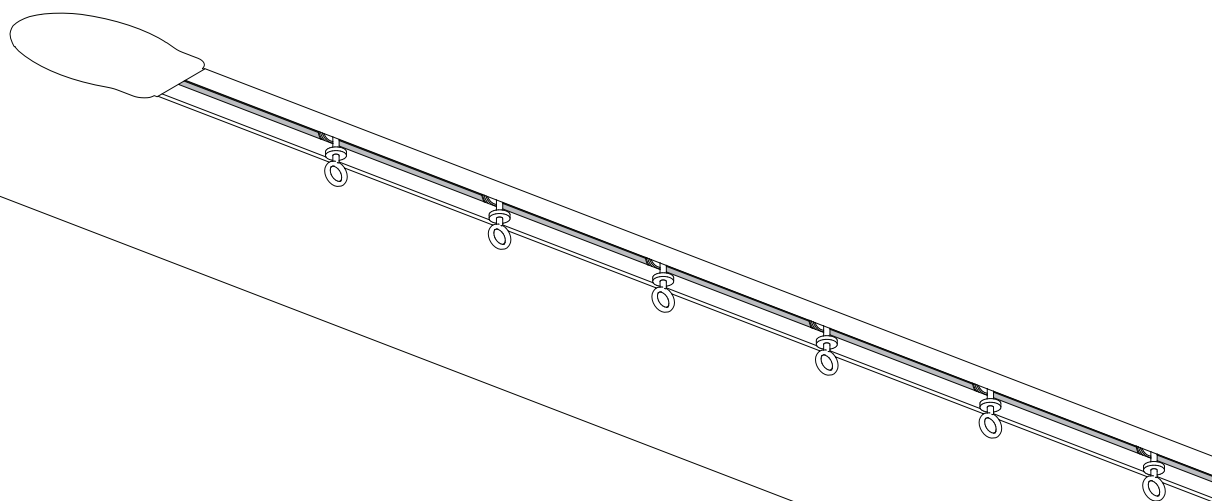


INSTALLING BLINDSPACE® TRACKTRIM® FOR CURTAIN TRACKS



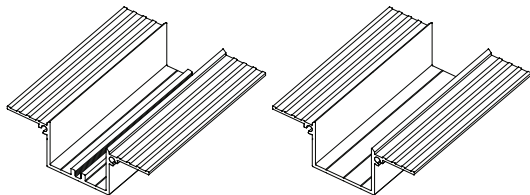
SCAN FOR MORE
INSTRUCTIONS



INSTALLING BLINDSPACE® TRACKTRIM® FOR CURTAIN TRACKS

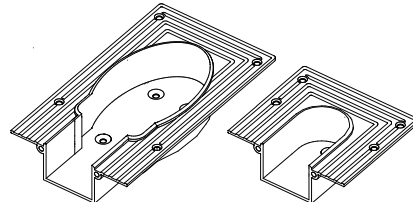
NOTE: Tracks must be securely attached to a solid blocking above as the weight of the curtains will be carried by the tracks. Most weight will be carried where the curtains stack. System fixings are never supplied by Blindspace, installer to ensure their fixing are suitable.

PARTS

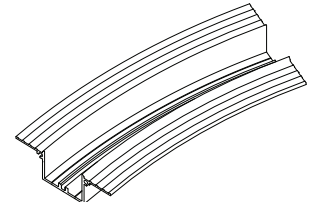


With Screw Channel Without Screw Channel

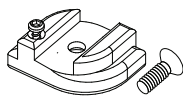
Tracks



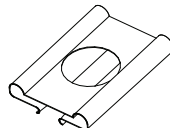
End set



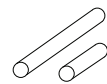
Curved Section



Fixing Bracket

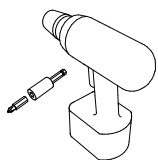


Rail Protector

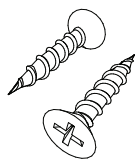


Splice Pins

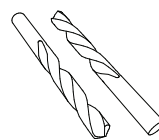
TOOLS



Screw Driver/Driller



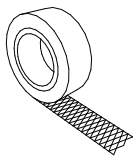
Countersunk Screws



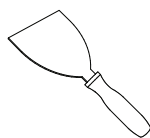
Drill Bits
2, 4, 6, 10mm



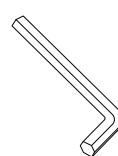
Countersink Drill Bit



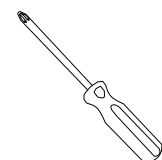
Scrim Tape



Scraper



Allen Key

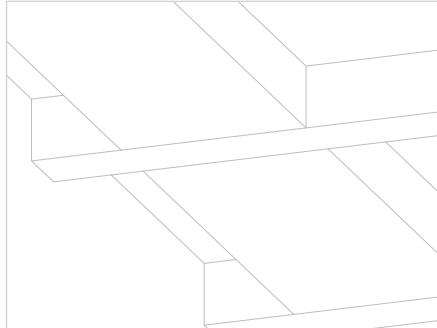
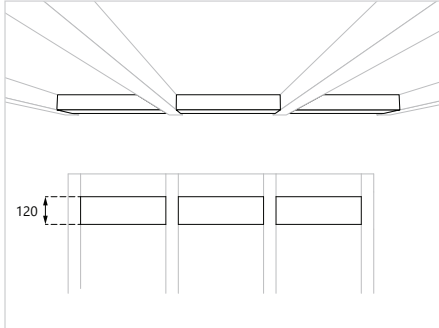


Hand Screw Driver

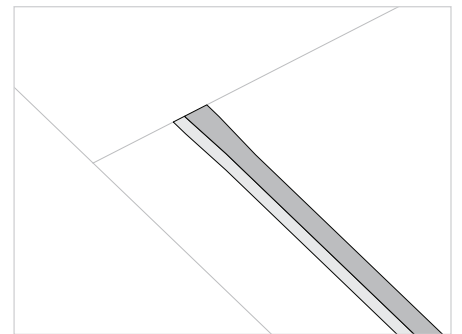
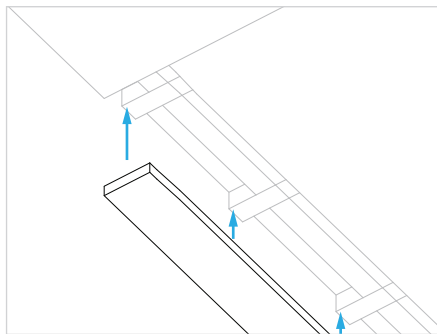
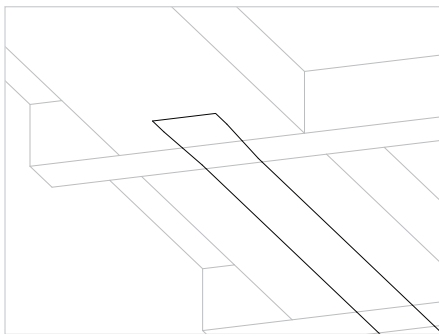
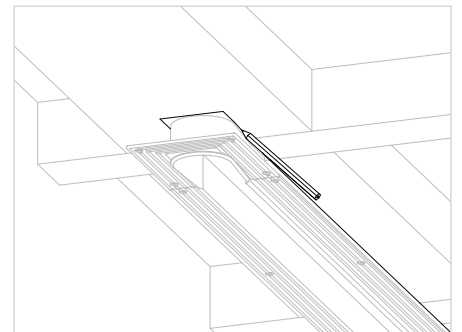
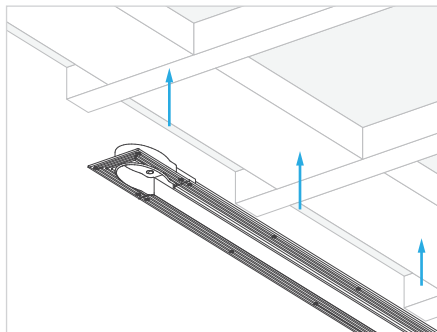
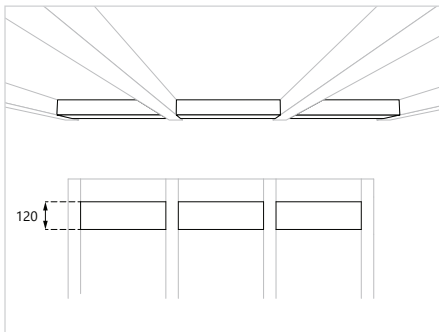
INSTALLING BLINDSPACE® TRACKTRIM® FOR CURTAIN TRACKS

INSTALLATION OPTIONS

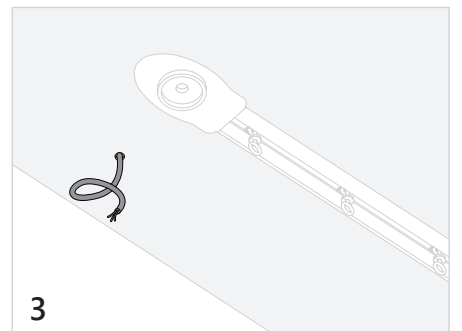
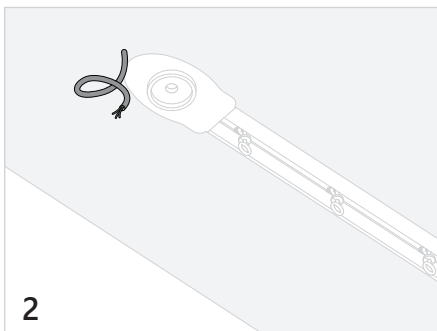
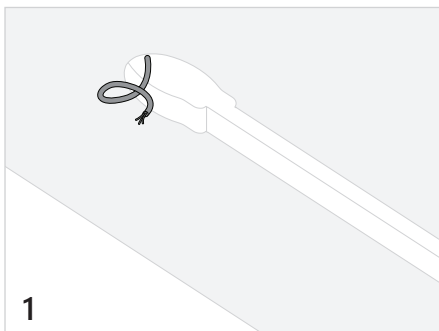
A. Blocking Only



B. Blocking with Prepared Recess

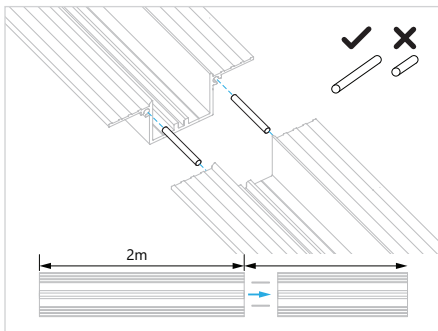
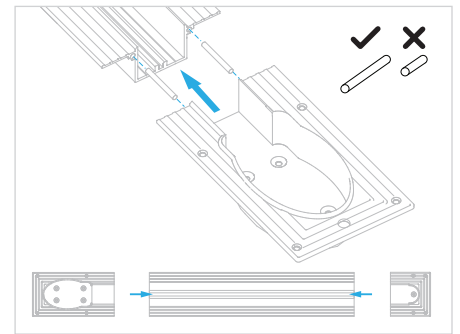
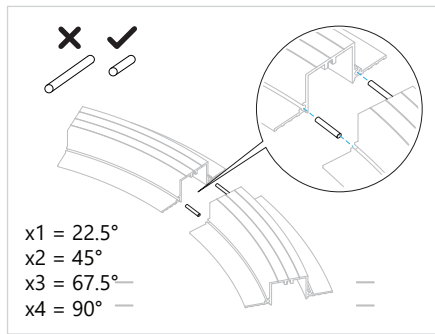
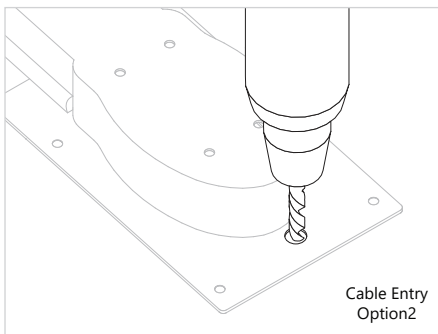
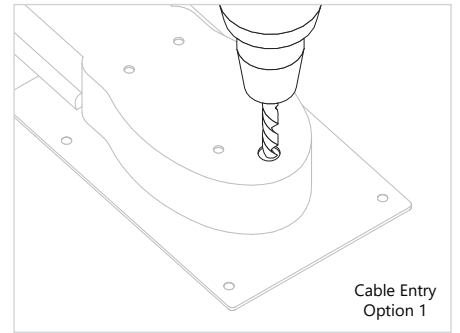
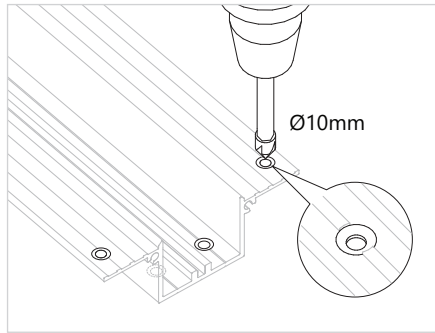
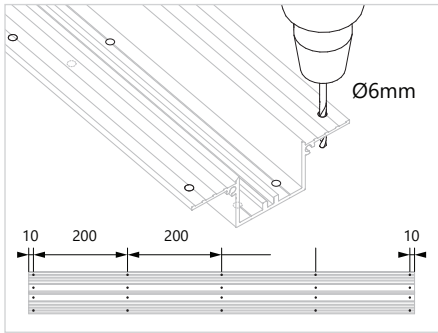


EXAMPLE CABLE ENTRY OPTIONS



INSTALLING BLINDSPACE® TRACKTRIM® FOR CURTAIN TRACKS

PREPARE TRACK

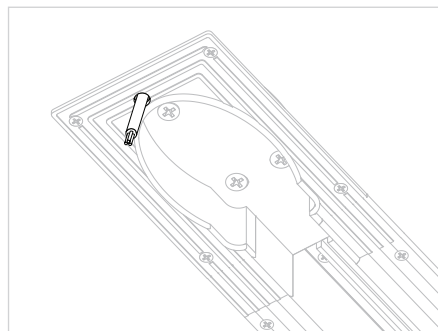
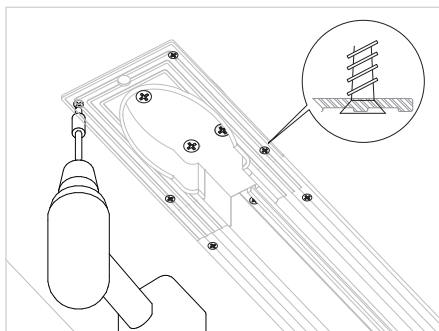
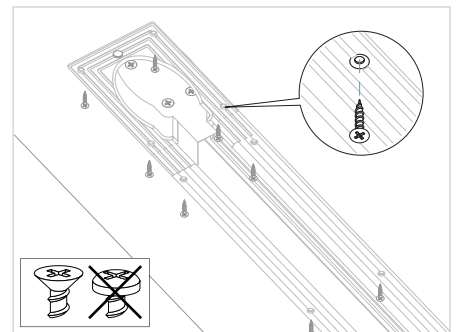
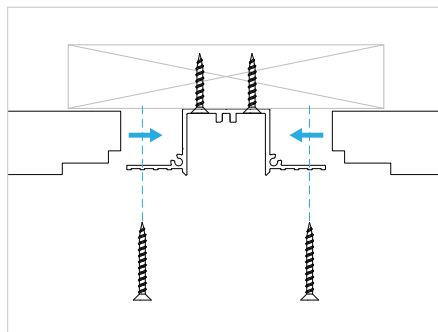
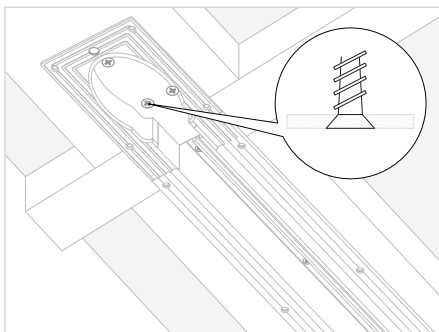
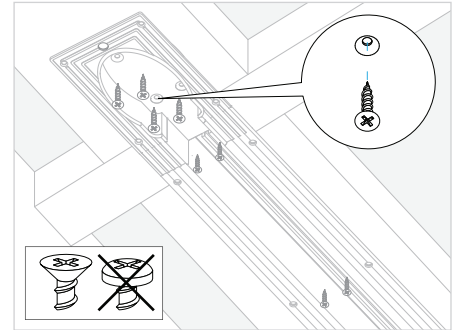
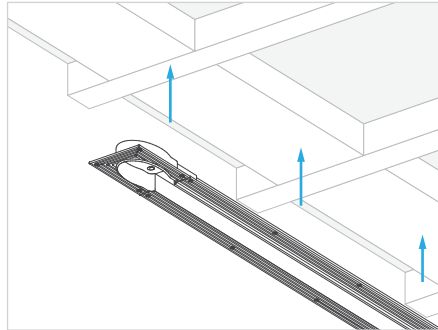
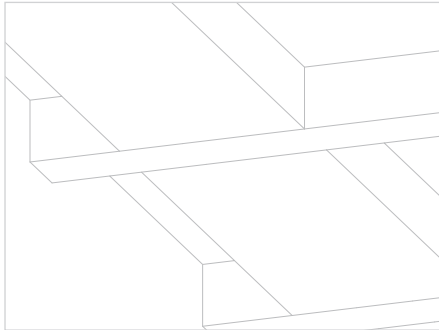


INSTALLING BLINDSPACE®

TRIM FOR CURTAIN TRACKS

INSTALL TRACK

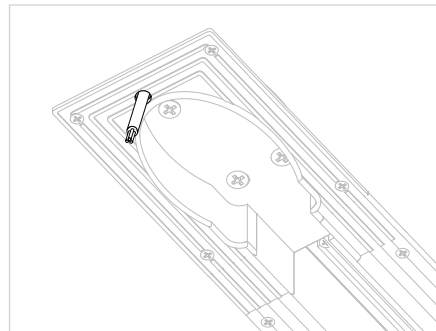
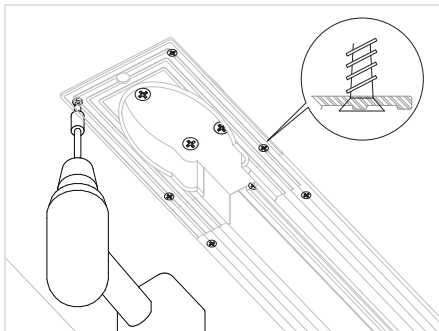
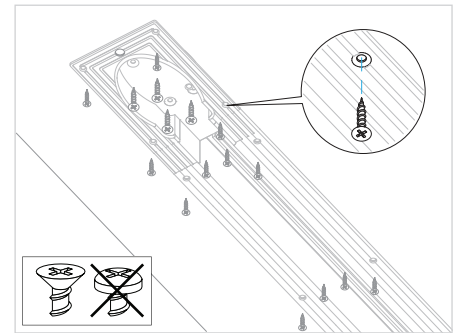
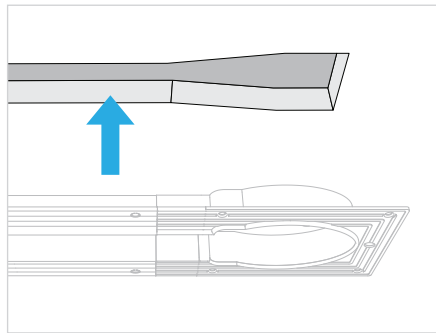
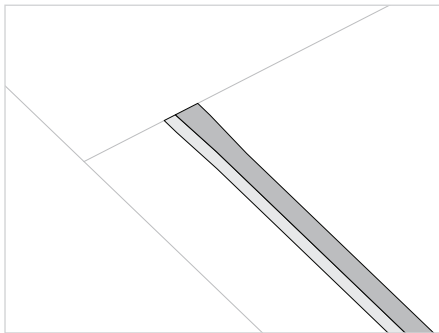
OPTION A



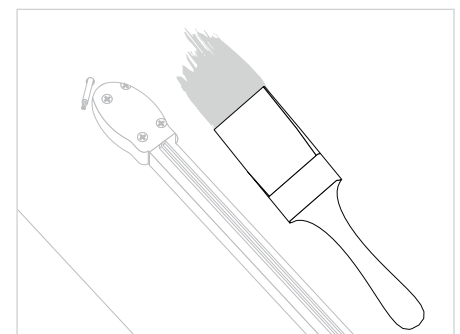
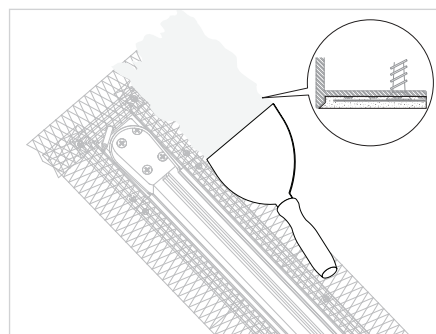
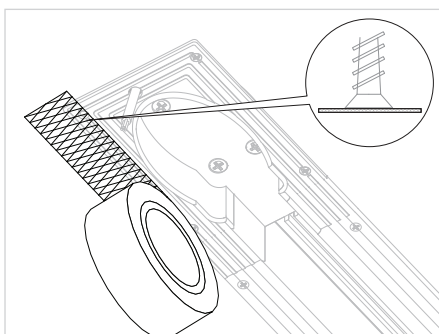
INSTALLING BLINDSPACE®

TRIM FOR CURTAIN TRACKS

OPTION B



COMPLETE SURROUNDING CEILING



INSTALLING BLINDSPACE®

TRIM FOR CURTAIN TRACKS

INSTALL CURTAIN TRACK

